



HL7028

3A I²C Controlled USB/Adapter Li-ion Battery Charger with Power Path and 2.1A OTG Boost

Overview

The HL7028 is a fully integrated switch-mode Li-ion battery charger with power MOSFET, power path management, I²C interface, and USB On-the-Go (OTG) boost function. It can be used with single cell or multi-cells in parallel Li-ion and Li-polymer batteries in a wide range of cellphones, smartphones, tablets, power banks, and other portable devices. Its switch-mode operation and low-resistance power path maximize charging, discharging, and boost efficiency. It also reduces battery charging time and extends battery life during a discharging phase.

This device supports a wide range of input sources, including standard USB host port, USB charging port, and high-power AC-DC adapter. It supports an input operating voltage from 3.9V to 7V and can power up the system rail without a battery. It can automatically adjust to the maximum power output of the input source via the input dynamic power management control (INDPM).

The HL7028 manages the complete charging cycle of a Li-ion battery autonomously with or without the presence of an I²C host. It detects the battery voltage and automatically charges the battery in four phases: trickle charge, pre-conditioning, constant current, and constant voltage. It automatically terminates charging when the battery is full and restarts a charging cycle if the battery voltage falls below the recharge threshold. For a short circuit protected battery, it can reactivate the battery by providing a float voltage to the battery terminal before charging starts. Its I²C interface provides maximum programmability for charging parameters and system level communication.

When the I²C host is not present, a built-in watchdog timer stops charging after the timer expires to assure safety battery operation.

A built-in low-resistance power path management system enables instant power-up of the system rail when an input source is plugged in even with a short battery or no battery. With a valid battery, it provides battery assistant mode during charging when the system load exceeds the capacity of the input source. The power path management system also provides a system reset function by disconnecting the battery and pulling system rail to ground for a programmable amount of time.

The USB OTG boost function provides a programmable 4.55-5.5V boost output at VIN port from the battery and supports current up to 2.1A.

The HL7028 integrates comprehensive protection mechanism to ensure safe operation of the battery, including battery temperature monitoring via negative temperature coefficient (NTC) thermistor, charging safety timer, over-voltage and under-voltage detections. The device also provides output over-current protection and regulates its on-chip junction temperature (T_J_REG) to be no more than 120°C by regulating its charging current.

The HL7028 is available in a 24-pin 4mm x 4mm QFN package.

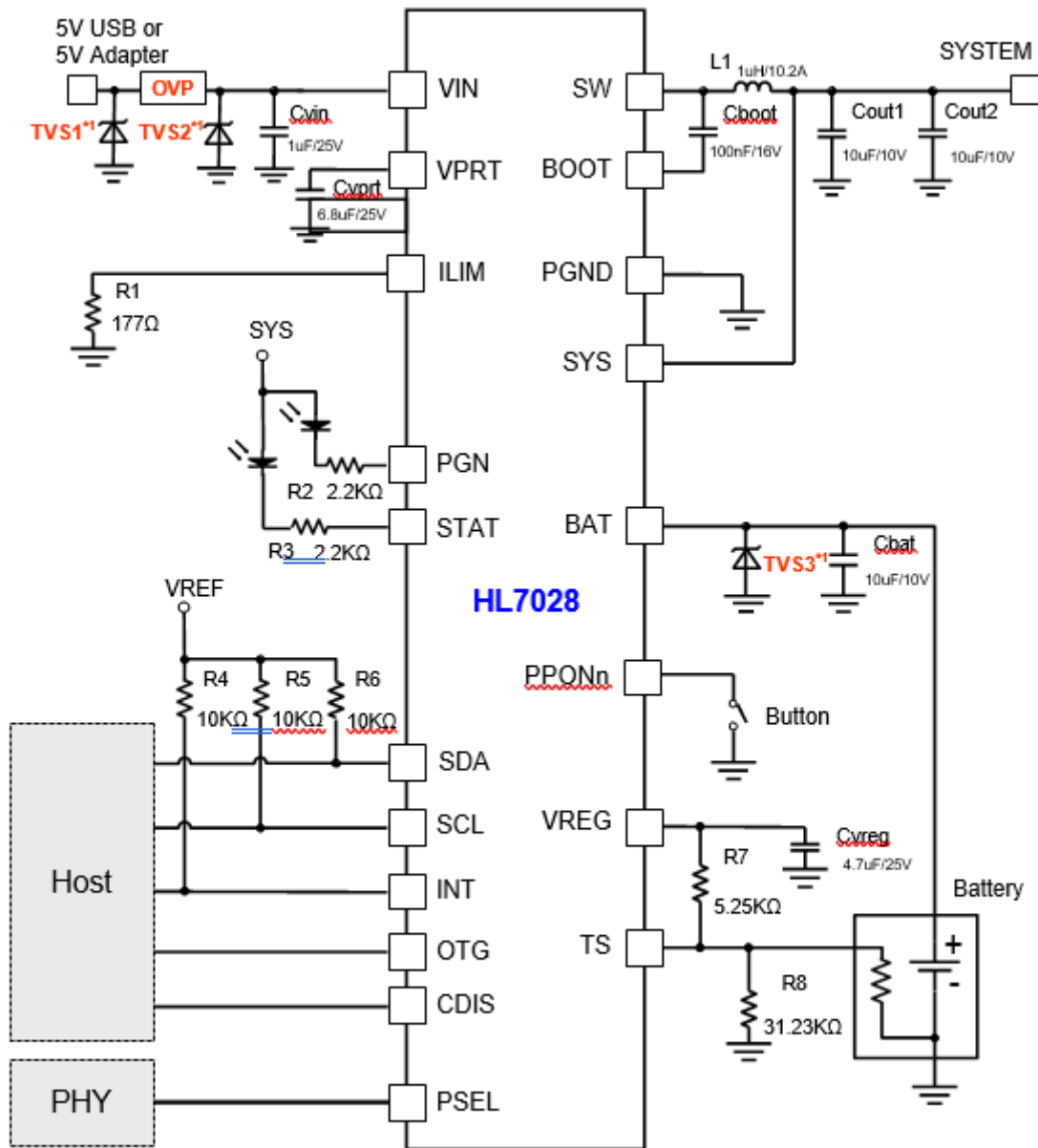
Features

- 20V input voltage tolerance, 3.9–7V operating voltage range
- High efficiency 3A switch mode charger
- USB-compliant/adapter charger
 - USB 1.0/2.0/3.0 compliant input current limit
 - 0.1-3A Programmable input current limit
- Autonomous preconditioning, CC/CV charge control, termination, and recharge
- 1.5MHz Synchronous PWM converter for small 1uH inductor
- USB OTG boost programmable VOUT: 4.55-5.51V
 - Max IOU: 2.1A @ 4.55-5.51V
 - 90% Efficiency at 1.5A
 - Hiccup mode over-current protection for reliable capacitive load start-up
- Power path management
 - Instant system on with no battery or deeply discharged battery
 - Ideal diode operation in battery assistant mode
 - System reset and battery disconnect
- Full range programmable charge parameter through I²C compatible interface
- Accuracy (0°-125°C)
 - ±1% Charge voltage regulation
 - ±10% Charge current regulation
 - ±15% Input current regulation
 - ±2% Output regulation in boost mode
- High integration
 - Dynamic power path management
 - Synchronous switching MOSFET
 - Integrated current sensing
 - Bootstrap diode
 - Internal loop compensation
- Comprehensive protections
 - Safety timer with reset control
 - Thermal regulation and shutdown
 - Input & output over-voltage protection
 - Output over-current protection
 - Reverse battery leakage protection
- Charge status output for LED or host processor
- Shipping mode and low battery leakage current
- 4mm x 4mm QFN-24 package

Applications

- Tablet PCs
- Smartphones
- Power Banks
- Portable Media Players

Simplified Application Diagram



Ordering Information

Part Number	HL7028
I ² C Address	6BH
USB Detection	PSEL
Default Battery Voltage	4.208V
Default Charge Current	2.048A
Maximum Charge Current	3A
Maximum Pre-charge Current	2.048A
OTG Maximum Current	2.1A
Charging Temperature Profile	Cold/Hot, 1TS pin
Status Output	STAT, PGN
STAT During Fault	Blinking @ 1Hz
Package	4mm x 4mm QFN-24
Packing Method	Tape and Reel

Important Notice

Halo Microelectronics reserves the right to modify, improve, and terminate its products, services, documentations, etc. without advance notice. Customers are encouraged to contact Halo Microelectronics sales representatives to get the latest product information.

Without proper legal authorization, Halo products shall not be used for medical or military applications. Halo Microelectronics does not assume any liability of personal or property damages of any kind due to such applications.

All text, images, trademarks of this document, and any intellectual property contained in the product and in this document belong to Halo Microelectronics Co. Ltd. No part of this document may be used, copied, modified, distributed, or published without legal authorization from Halo Microelectronics.

© 2022 Halo Microelectronics. All rights reserved. www.halomicro.com